

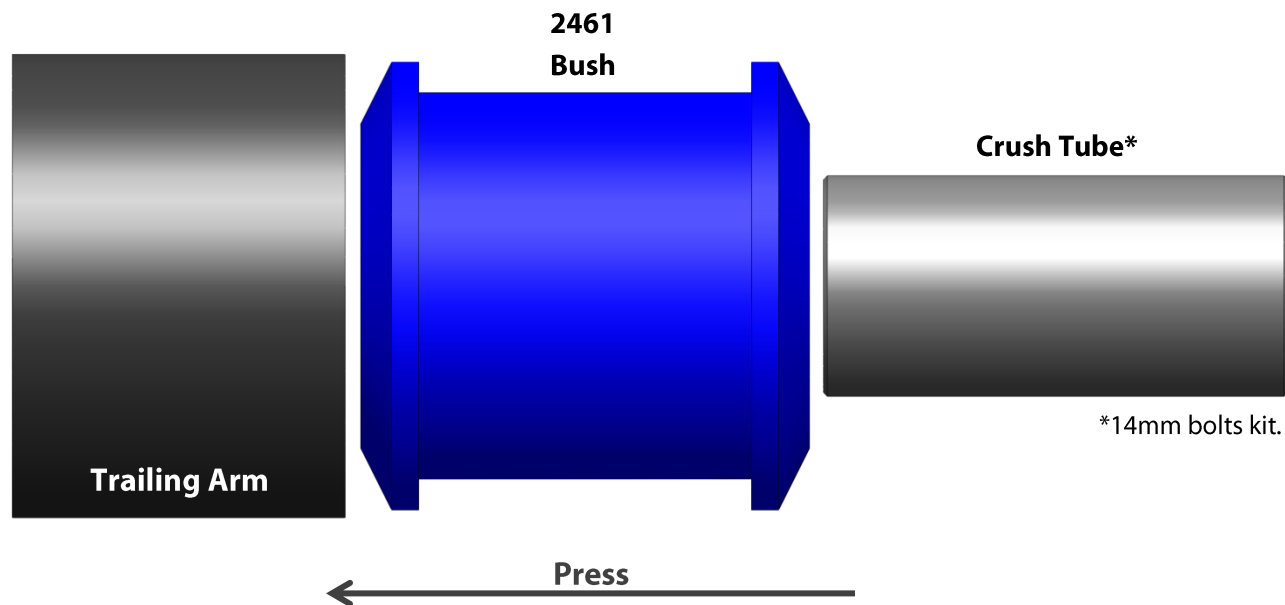
Fitting Instructions #2461IS

Toyota Landcruiser

Rear Trailing Arm Upper Bushing



- Jack the vehicle up and support on jack stands;
- Remove the trailing arms;
- Remove original shell/bush part from the housing with the use of a hydraulic press and suitable pressing tools;
- Clean housing areas to remove any old original bushing materials before installing new bushes;
- Apply the grease supplied to the housing and the outside of the bush, and then push the new bushes in as shown in the picture;
- Apply the white grease supplied to the bore of the bush and the outside of the crush tube, then push in the crush tube as shown in the picture.
- Refit the trailing arm to the vehicle and tighten all bolts to manufactures torque settings;
- Carry out a wheel alignment.



Note: Polyurethane bushings must be fitted to both sides of the vehicle. This kit should be installed by a Qualified Motor Mechanic.