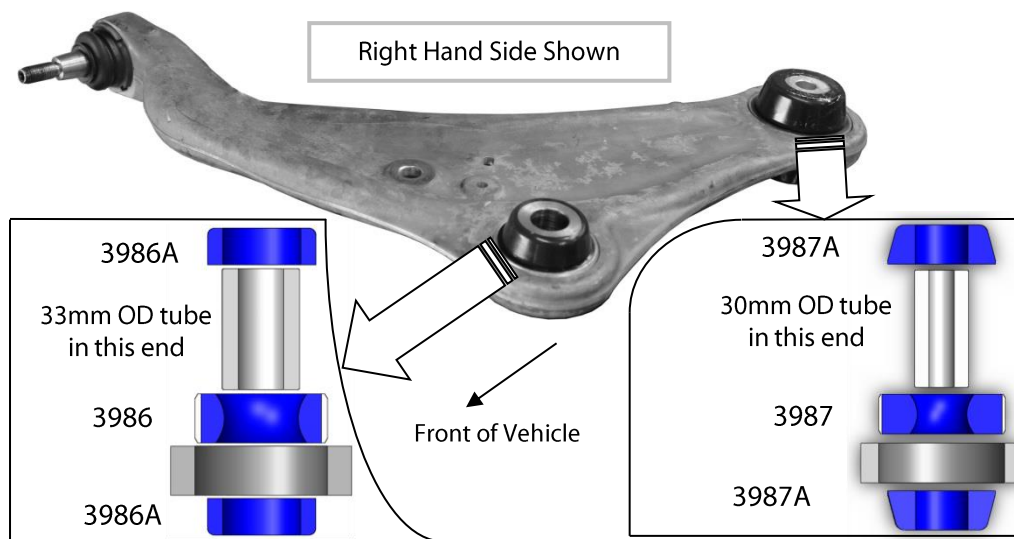


Fitting Instructions #3986IS

Renault Megane III

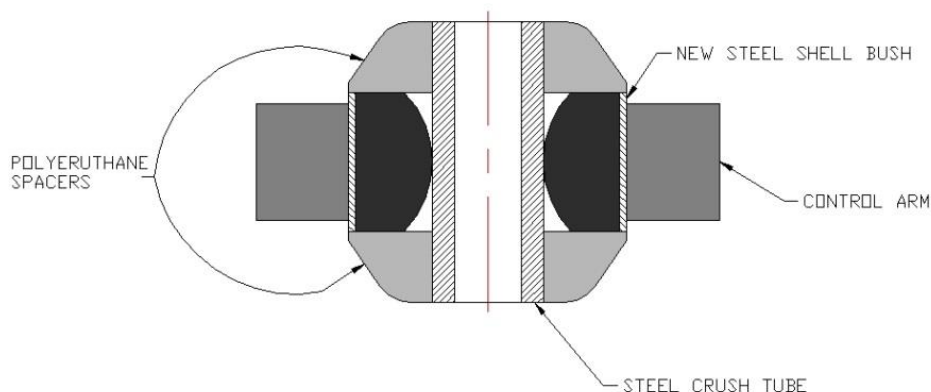
Control Arm Lower Front and Rear Bushing (Front)



Note: Polyurethane bushes must be fitted to both sides of the vehicle.

- Wheel-align the vehicle before the job is started and note settings;
- Jack the vehicle up and support on jack stands;
- Remove the lower control arms;
- Remove original shell parts from the housing with the use of a hydraulic press and suitable pressing tools;
- With reference to the diagram above, note the position of the new bushes in the arm, then push the new polyurethane bushing with the shell into the housing;

Note: lubricate the outside of the steel tube, the polyurethane inside of the steel shell parts, the inside and faces of the polyurethane spacer washers. Push the steel crush tubes into the bushes according to the diagram above. A hand press may be required to insert the steel tube, as there can be significant crush. The spacers are to be arranged as depicted in the diagram below (**Larger face of spacers must face the new bushing**).



- Refit the control arm to the vehicle. Tighten all bolts to manufactures torque settings;
- Carry out wheel alignment.